

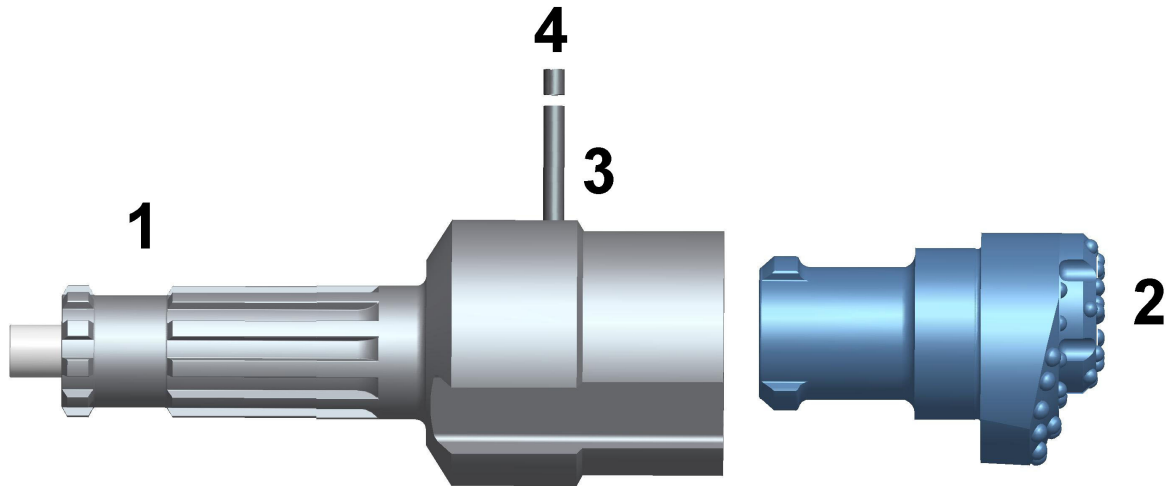
PITMEC

THE PES 165 ECCENTRIC UNDERREAMING SYSTEM



CASING SIZE 194MM OD X 181MM ID DRILLING DIA. 215MM

PNEUMEC PES 165 ECCENTRIC UNDERREAMING SYSTEM



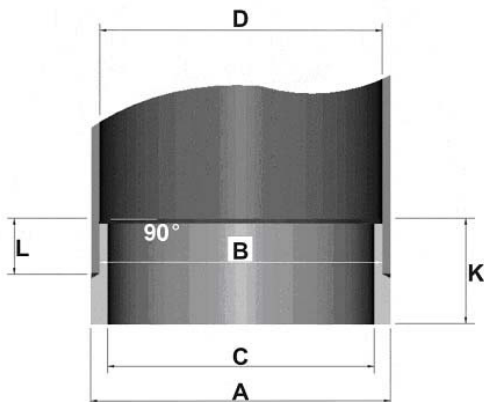
PES 165 PARTS LIST

1.	GUIDE DEVICE DHD360 SHANK	UGD165360PES
2.	ECCENTRIC BIT	UPB165PES
3.	LOCKING PIN	USP16550PES
4.	SPLIT PIN	USP16551PES
5.	COMPLETE SYSTEM	UCS165360PES

PES 165 SPECIFICATIONS

UPPER BODY DIAMETER	178MM	CLOSED DIAMETER	166M
REAMING DIAMETER	215MM	CASING SIZE	193.7MM OD X 181MM ID
SYSTEM LENGTH	690MM	SYSTEM WEIGHT	90KG

PES 165 CASING SHOES



DIA. A	193.7MM
DIA. B	178MM
DIA. C	167MM
DIA. D	181MM
L	71MM
K	115MM

PNEUMEC

PNEUMEC COMPANY LIMITED

1st Floor, Tin On Sing Comm. Bldg., 41-43 Graham St. Central, H.K.

Tel : (852) 2180 9922

Fax : (852) 2180 9982

Website : www.pneumec.com

email : info@pneumec.com